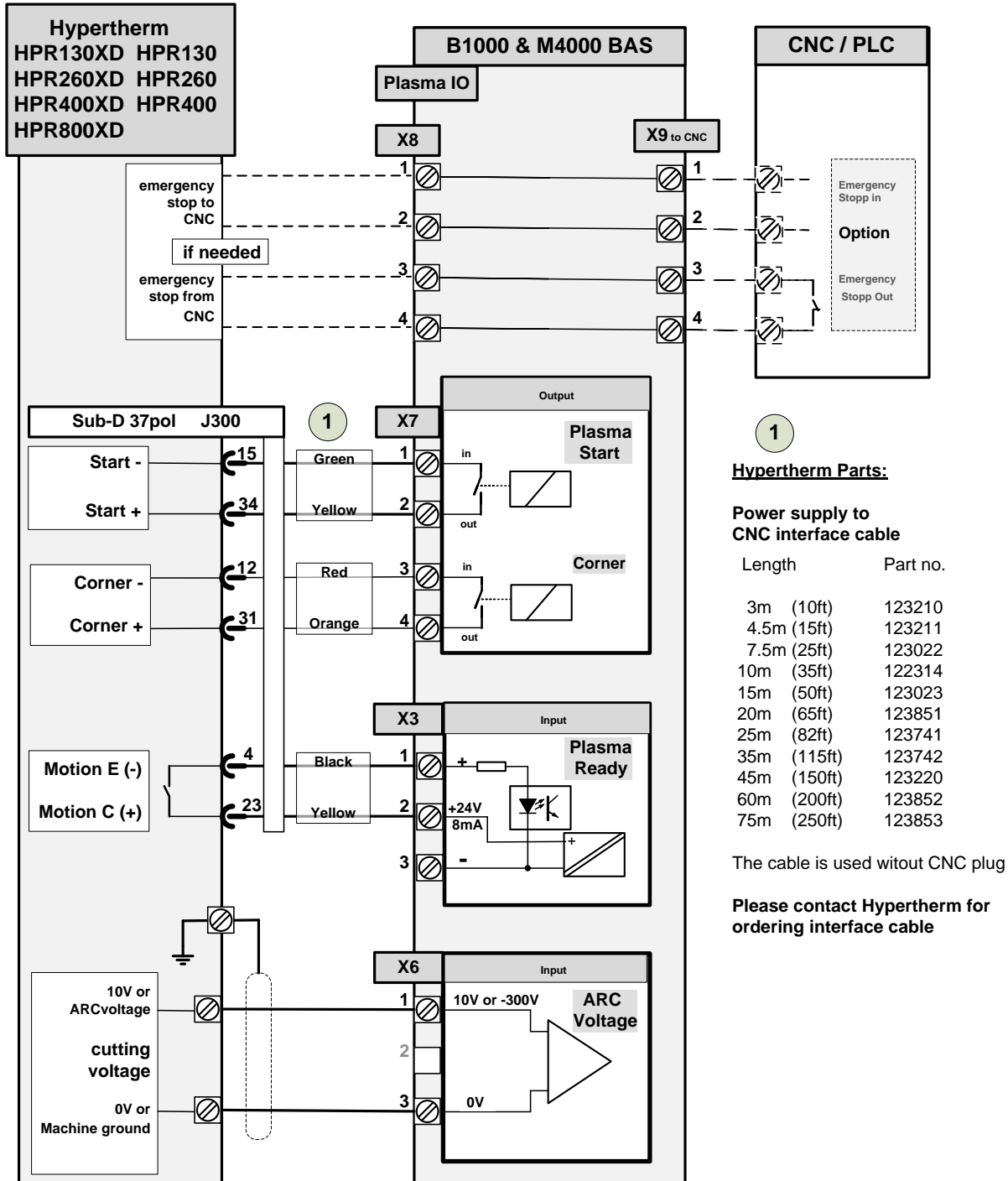
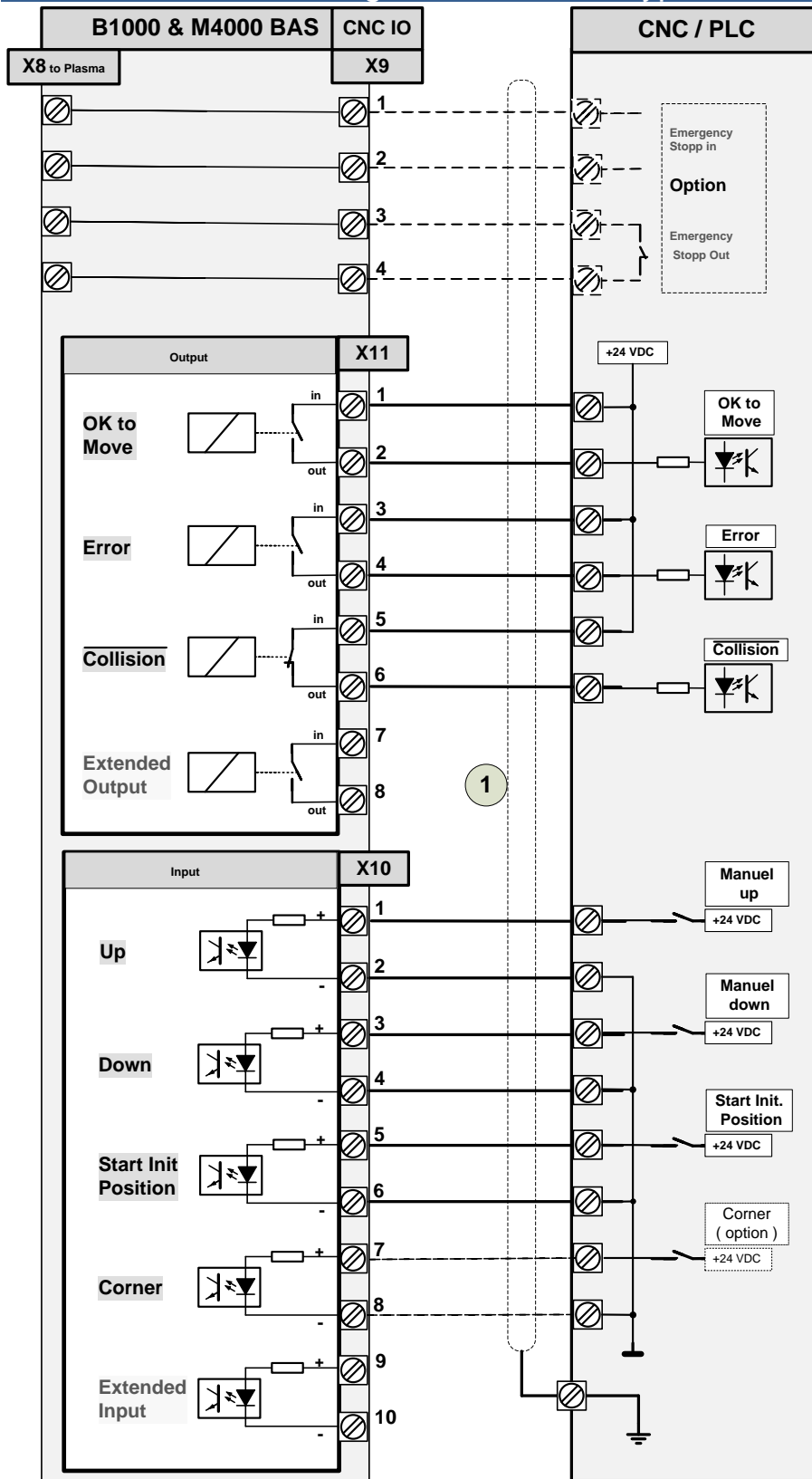


B1000 & M4000 BAS Signal Connection Hypertherm Plasma source

HPR130XD HPR130, HPR260XD HPR260, HPR400XD HPR400, HPR800XD



B1000 & M4000 BAS Signal Connection Hypertherm Plasma source



- 1**
- Standard Cable**
- B1000 & M4000 BAS to CNC interface cable**
- 22pol Standard cable
 - Couple twisted
 - With shielding
 - outer diameter 7..13mm